



# XMR083

## LIGHT COMPACTION EQUIPMENT

### 轻型压实设备

XMR083 is walk-behind double drum vibratory roller with operating mass of 0.8 tons, has features such as electromagnetic vibration, valve control hydraulic steering and comfortable operation. It is mainly used for compacting asphalt concrete surface layer, especially for urban roads, stadiums and other minor works. Can also be used for small and medium base, sub base and compacted materials. Has good edge compaction performance, in narrow job sites and groove-based shows its unique advantages.

XMR083是工作质量为0.8吨的手扶式双钢轮振动压路机，具有电磁振动、阀控液压转向，操纵舒适的特点。主要适用于沥青混凝土等面层的压实，特别适用于城镇道路、体育馆等小型工程地面压实作业，也可用于中小型基础、次基础和填充材料的压实；具有良好的压边性能，在狭窄的作业场地及沟槽基础的压实方面更显示出其独到的优越性。

## Performance Characteristics / 性能特点

- The walk-behind roller relies on manual steering which is strenuous and strong labor intensity, an auxiliary steering pump is used to provide oil source. Control the three-position four way solenoid directional valves group to achieve the extension of steering cylinder, and control the steering of whole vehicle, ensure the machine manipulation is free and flexible.
- Tandem type closed hydraulic system consists of piston pump and two cycloid motors, can effectively prevent slip of drive wheel, cycloid motors drive the vehicle through wheel reducer by reducing the speed and increase the torque, so that the machine has excellent grade ability and drive ability.
- Positioning device is formed by plug screw, spring, spring seat and steel ball, positioning bolt and umbrella-type plate, in the neutral position of umbrella-type plate is ball socket, when the plate is in middle position, the vehicle is in stationary status, the steel ball press into the ball socket, and it is always rolling friction between steel ball and umbrella plate, this device is simple, positioning reliable and service-free.
- The nether frame and steering frame are connected by pivotal bearing, ensuring the compact structure of whole machine, good maneuverability, small in size and easy maintenance.
- Has parking brake, service brake and anti extrusion protection functionality, service braking adopts hydrostatic neutral no impact braking technology, reduce the ground friction, improve the compaction quality; parking braking adopts positive bolt brake, mechanical braking; reliable anti-extrusion protection device to make sure human safety when back up.
- Delivery torque, high sensibility, reliable performance, comfortable and convenient.
- 抛弃手扶式压路机依靠人工转向费力、劳动强度大的传统模式，由一个辅助转向泵提供油源，通过操纵手柄上的按钮，控制三位四通电磁换向阀组换向实现转向油缸的伸缩，从而控制整车的转向，使整机操纵变得轻松自如。
- 采用柱塞泵和两个摆线马达组成的串联式闭式液压系统，可有效的防止驱动轮打滑现象的发生，摆线马达通过轮边减速箱减速增扭驱动车辆行走，使该机具有优良的爬坡和驱动能力。
- 定位装置采用由螺栓、弹簧、弹簧座和钢球组成的定位螺栓和伞形板组成，伞形板在中位位置处有球窝，当伞形板在中位位置时，车辆处于静止状态，钢球压入球窝，钢球与伞形板之间始终是滚动摩擦，该机构具有结构简单、中位定位可靠、免维护的特点。
- 下车架和转向架通过回转轴承连接，使整机结构紧凑，转向灵活省力，体积小，方便维修。
- 具有行车制动、驻车制动和防挤压保护功能。行车制动采用静液压中位无冲击制动技术，减少对地面的摩擦，提高压实质量；驻车制动采用正向插销式制动器，机械制动；可靠的防挤压保护装置确保倒车时的人身安全。
- 传递扭矩大、灵敏度高、性能可靠，操纵舒适、方便。



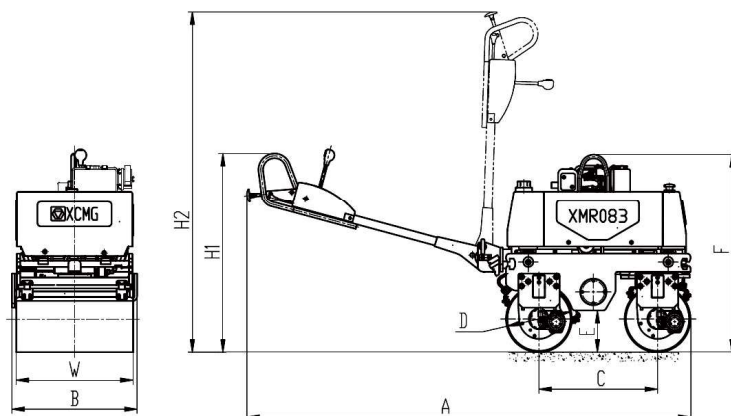
# XMR083

## LIGHT COMPACTION EQUIPMENT

轻型压实设备

### Main Dimensions

主要尺寸



Dimension 尺寸 (mm)	A	B	C	D	E	F	H1	H2	W
XMR083	2695	760	720	400	250	1195	1200	2050	708

### Main Specifications

主要技术参数

Item	项目	单位 Unit	XMR083
Operating mass	工作质量	kg	800
Drum diameter	振动轮直径	mm	400
Drum width	振动轮宽度	mm	708
Speed range	速度范围	km/h	0~3.6
Theoretical gradeability	理论爬坡能力	%	30
Minimum turning radius	最小转弯外半径	mm	3135
Minimum ground clearance	最小离地间隙	mm	250
Wheel base	轴距	mm	720
Steering angle	转向角	°	± 15
Vibrational frequency	振动频率	Hz	55
Nominal amplitude	名义振幅	mm	0.32
Exciting force	激振力	kN	15.8
Engine type	发动机型号		186F
Rated speed	发动机额定转速	r/min	2600
Engine rated power	发动机额定功率	kW	5
Engine fuel consumption	发动机油耗	g/kW.h	280
Overall dimension(length × width × height)	外形尺寸 (长/宽/高)	mm	2695 × 760 × 1200
Hydraulic tank volume	液压油箱容积	L	16
Diesel tank volume	燃油箱容积	L	5.5
Water tank volume	洒水箱容积	L	40